

Arc Trainer® Linkage Cap

Kit No. **600AK012**

Installation Instructions

NOTE: This instruction sheet describes how to replace the linkage cap in the Arc Trainer 600A/610A.

TOOLS REQUIRED

- 3/16" Allen wrench

1. Read and understand all instructions thoroughly before installing this kit.
2. Verify kit contents. See Figure 1.

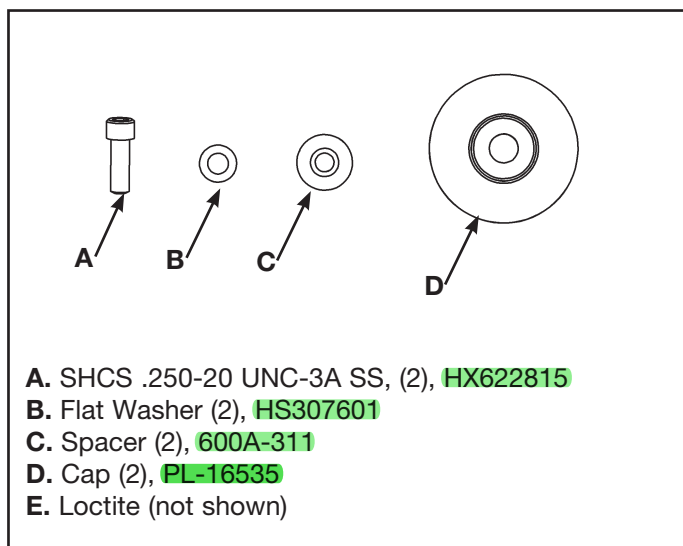


Figure 1

3. Replace the linkage caps.

- A. Turn the main power switch above the power inlet to the off (0) position.
- B. Using a 3/16" Allen wrench, remove the SHCS and spacer securing the linkage arm.
- C. Place a drop of loctite (E) on the new SHCS (A) and place another drop of loctite (E) into the shaft (where the SHCS will be tightened into).

- D. Install the new spacer (C), cap (D), flat washer (B) and SHCS (A, E) as shown in Figure 2.

NOTE: SHCS must be tightened to a minimum of 90 inch-pounds.

- E. Repeat steps 3B - 3D for the other side.

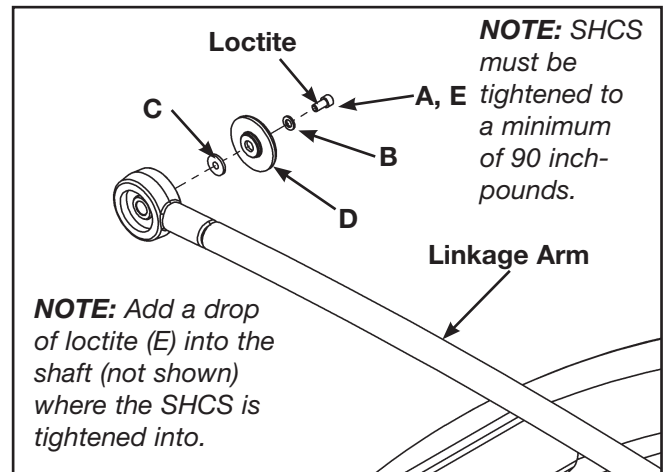


Figure 2

4. Connect Power and test for proper operation.

- A. Turn the main power switch to the on (I) position.
- B. Test the unit to verify proper operation.



Cybex® and the Cybex logo are registered trademarks of Cybex International, Inc.
Arc Trainer® and its mark are registered trademarks of Cybex International, Inc.